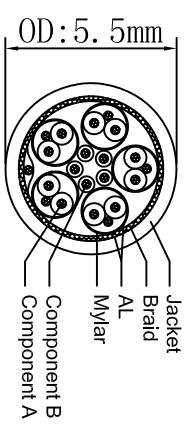
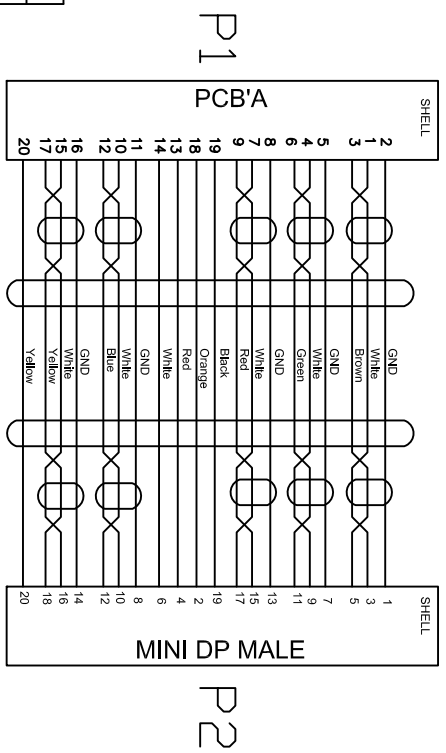
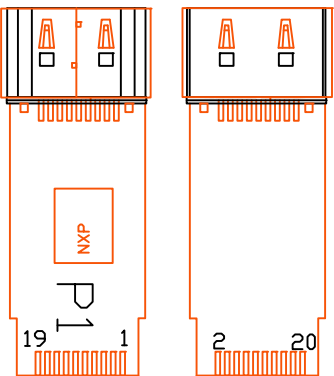
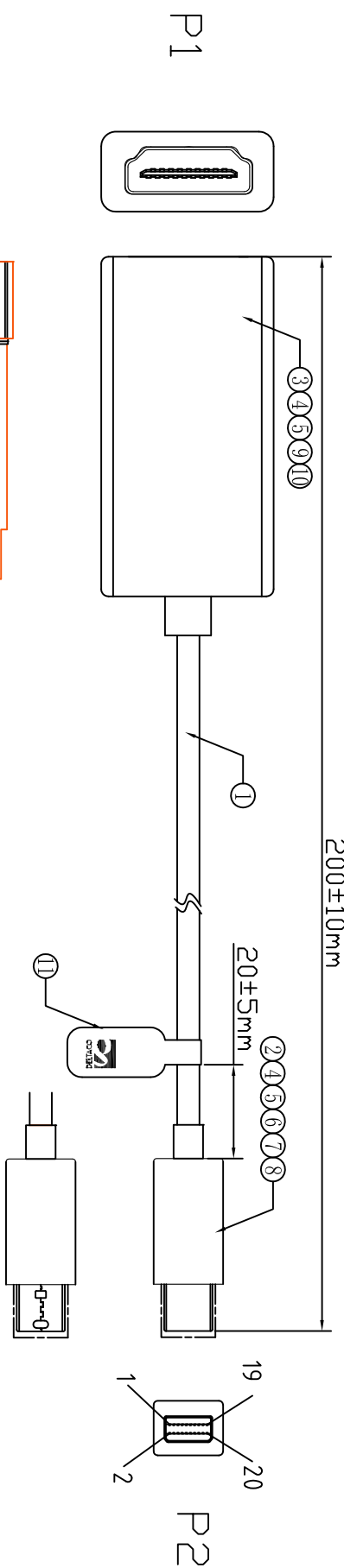


RoHS Compliant

REV	DESCRIPTION OF CHANGE	DATE
A0	INITIAL RELEASE	2012-10-05



11	Tag	AM-BK0143	white background, black character(OP-HDMI14)	1 Pos
10	Lid	SL-MH0028	HDMI (F) White Top shell	1 Pos
9	Shell	SL-MH0025	HDMI White Shell(smooth)	1 Pos
8	Dust cap	OR-0007	Mini DP Dust cap	1 Pos
7	Lid	SL-MH0124	Mini DP White Top shell	1 Pos
6	Shell	SL-MH0070	Mini DP White Shell(smooth)	1 Pos
5	PVC	PVC-0002	60P White PVC	1.45g
4	PE	PE-0001	LDPE (RoHS)	3.40g
3	Connector	BH-F-021-GF-NX	HDMI (F) PCB A(XMP), gold-plated	1 Pos
2	Connector	CN-G0001	Mini DP (M), gold-plated	1 Pos
1	Cable	DP0-55-3201	UL20276(32AWG*1P+P+AL/AV)*56C+32AWG*5C+AV/AL+HRA1D, JACKET PVC WHITE, OD=5.5±0.15mm L=170±5-0mm	1 Pos
No.	Material name	Item number	Specifications Description	Quantity

图号 (DWG NO)	XY-10464	单位 (UNIT):	MM
版次 (REV):	A0	比例 (SCALE):	1:1
设计 (DESIGN)	Dean	DIMENSIONS ARE IN MILLIMETERS TOLERANCES: LINEAR: X ±1.0 XX ±0.5 XXX ±0.15 XXXX ±0.05 ANGULAR: ±0.5	
审核 (CHECKED)		TITLE	Mini DisplayPort to HDMI Cable
核准 (APPROVED)		PART NO	DP-HDMI14

- NOTES:
- ELECTRICAL PROPERTIES:
 - 100% open and short test.
 - Conductor resistance: 5 OHMS
 - Insulation resistance: 10 MEGOHMS
 - Hi pot: DC300V/0.01S
 - Audio & Video test, Output resolution: 1920*1080P
 - All material be RoHS compliant.

