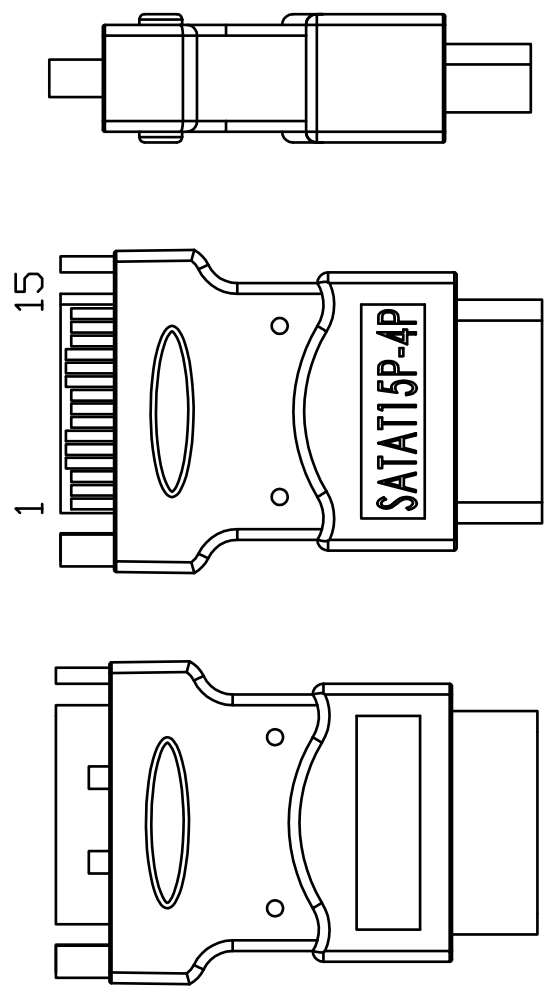
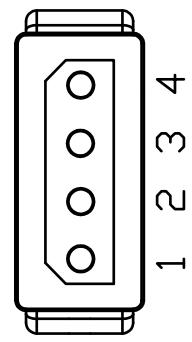


P1




P2



PIN OUT

P1	P2
13,14,15-----	
7,8,9-----	4
10,11,12-----	3
4,5,6-----	2
1,2,3-----	1

NOTES:
 1. TESTING:100%OPEN AND SHORT TEST
 2.ALL MATERIAL BE ROHS COMPLIANT

APPROVED	CHECKED	DRAWN	ITEM NO.	SATA-S6	DESCRIPTION: SATA JACK--Molex 4pin F	
			DRAW NO.			
			UNIT	mm		
			SCALE	NONE		