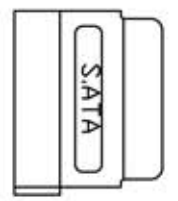
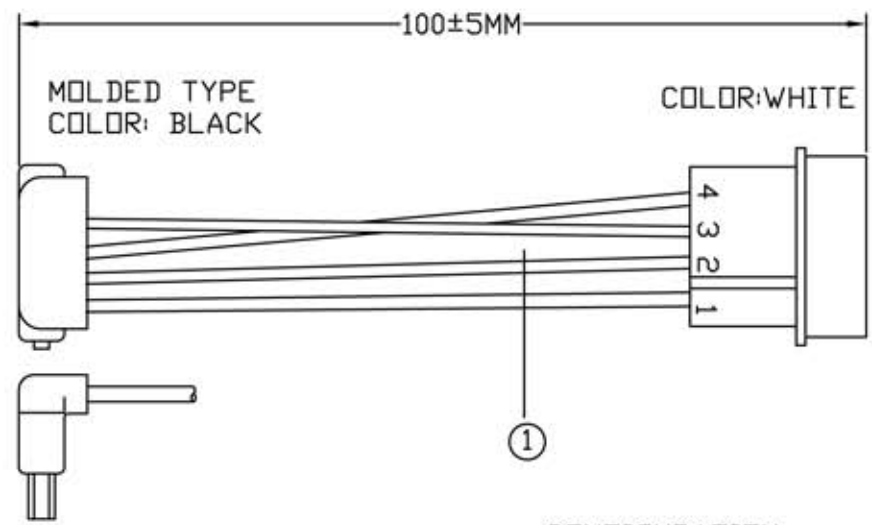


3	RevNo	4	Revision note	5	Date	6	Signature	Checked
---	-------	---	---------------	---	------	---	-----------	---------

ATA150 15PIN  
INSULATOR:BLACK

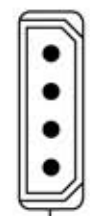


MOLDED TYPE  
COLOR: BLACK

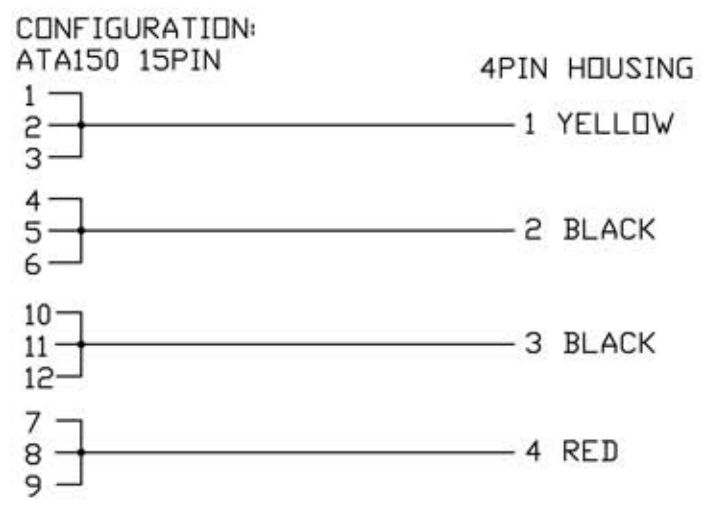


COLOR:WHITE

4PIN HOUSING  
MALE



RED  
BLACK  
BLACK  
YELLOW



- NOTES:  
 1.TOTAL LENGTH:100±5MM  
 2.ATA POWER CABLE COLOR:RED,BLACK & YELLOW  
 3.ATA150 15PIN WITH MOLDED TYPE,COLOR:BLACK  
 4.4PIN HOUSING COLOR:WHITE  
 5.TEST:OPEN/SHORT 100% TEST

3.	CONNECTOR	1	4PIN HOUSING MALE<YY-3200-H04+YY-3200-TTA>
2.	CONNECTOR	1	ATA150 15PIN<RIGHT ANGLE>MOLDED TYPE
1.	CABLE	4	UL1007, #18<41/0.16TC>x1C, DD:2.1MM
NO.	PART NAME	Q'TY	SPECIFICATION

Buyer	Date	Unit	Rev.	TITLE:	Drawing	File no
DEL	04/18/07	mm	1.0	SERIAL ATA DC POWER CALBE<RIGHT ANGLED>		SATA-S1
DRN BY	CHK BY	APE BY				Dwg.no
						ATADC01R-0.1

