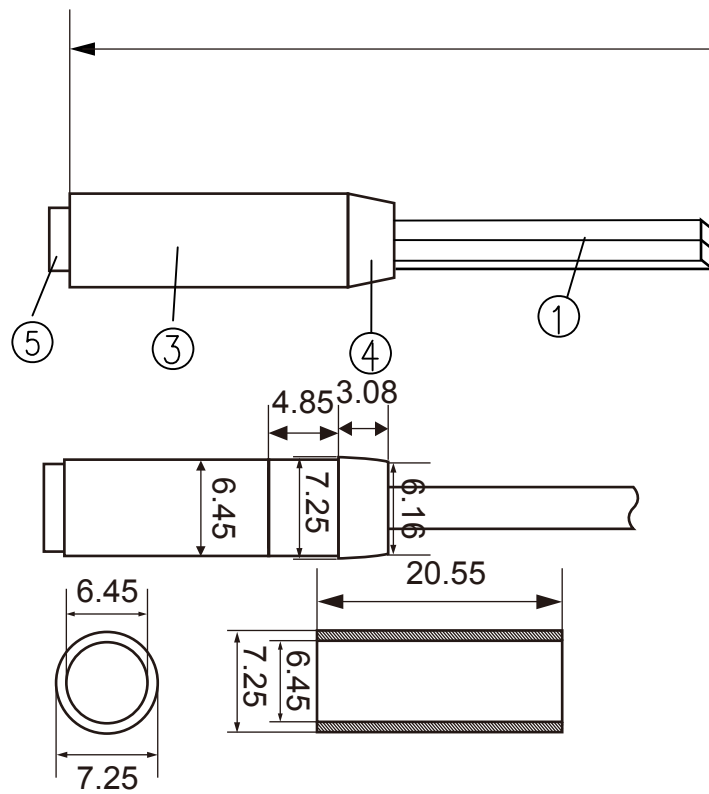
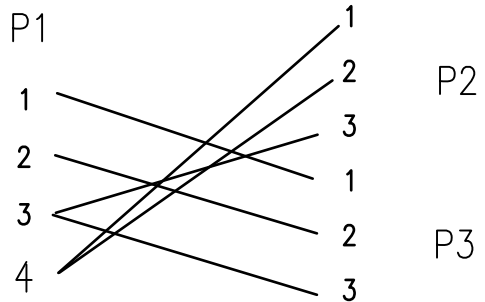


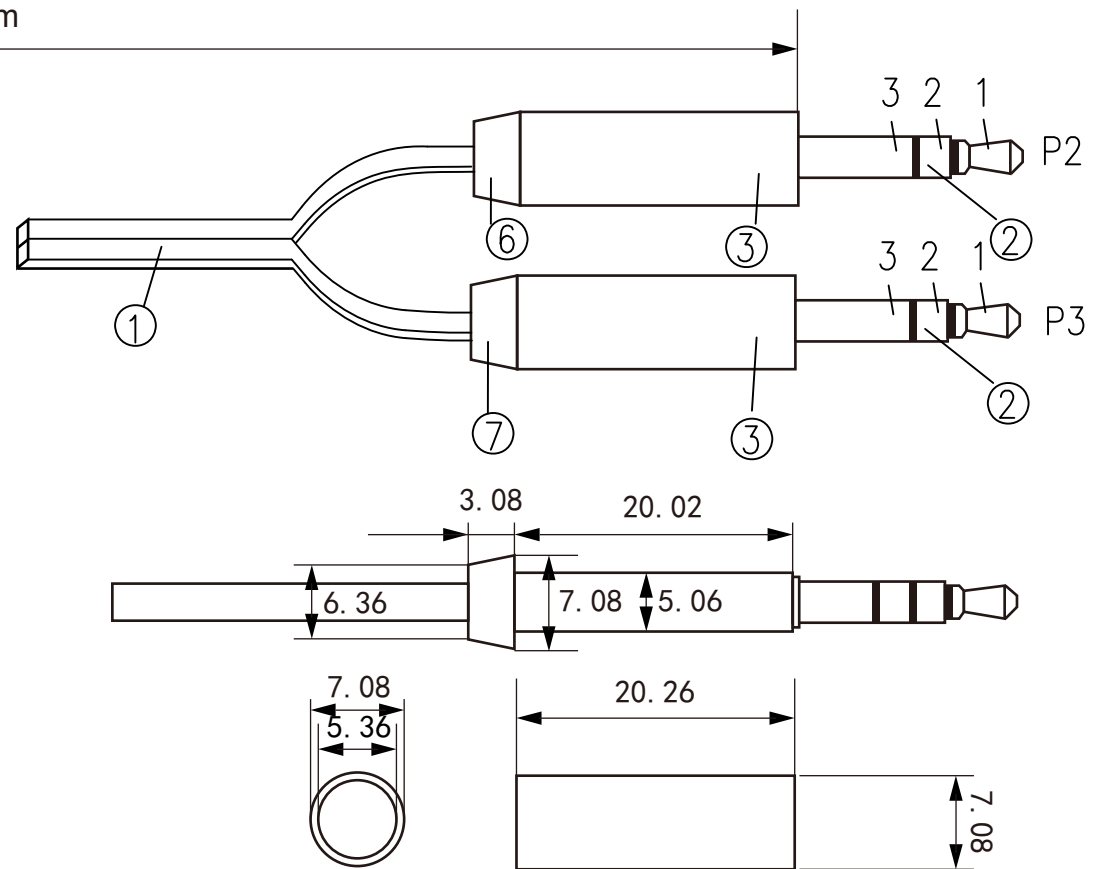
P1



PIN OUT



0.1m



⑦	HOOD MOLD	1PCS	GREEN PVC
⑥	HOOD MOLD	1PCS	PINK PVC
⑤	3.5mm(4P) FEMALE	1PCS	GOLD PLATED SHELL
④	HOOD MOLD	1PCS	WHITE PVC
③	BRASS HOOD	3PCS	BLACK NICKEL PLATED
②	3.5mm MALE	2PCS	GOLD PLATED SHELL
①	CABLE	2PCS	30AWG*4P+WHITE TPE JACKET FLAT CABLE OD:1.2x3.5mm
NO.	PARTS NAMF	Q'TY	SPFCIFICATION

NOTES:  
 1. TESTING: 100% OPEN AND SHORT TEST.  
 2. ALL MATERIAL BE RoHS COMPLIANT.

APPROVED	CHECKED	DRAWN	CUSTOMER:	
			ITEM NO.	AUD-208
			DRAW NO.	
			UNIT	mm
			SCALE	NONE

DESCRIPTION:  
 2x3.5mm /M----3.5mm/F

